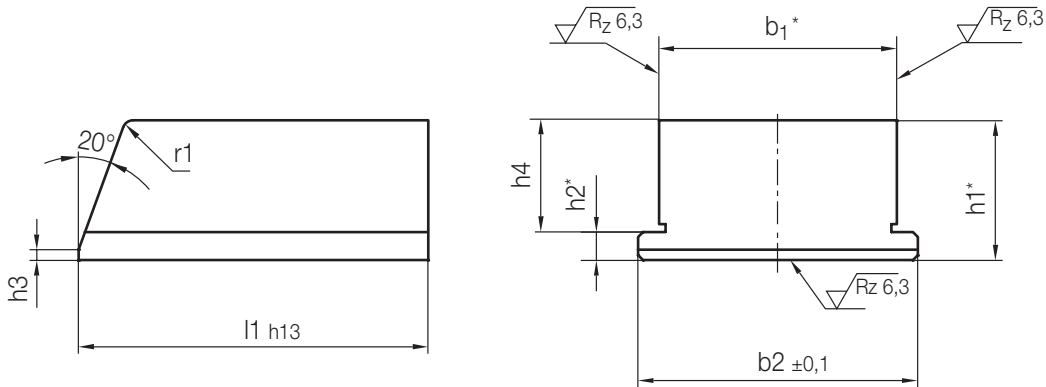
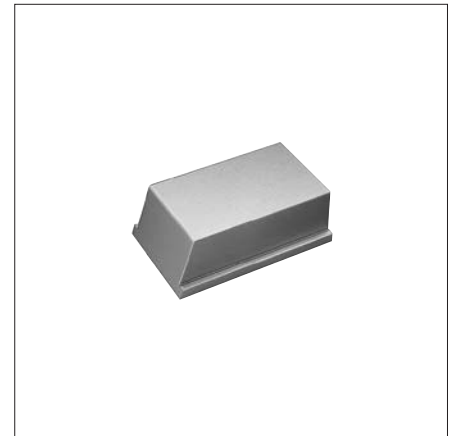


# Z180/...

Schieber  
Slide  
Coulisseau

Mat.: 1.2767/1.2343/Toolox 44



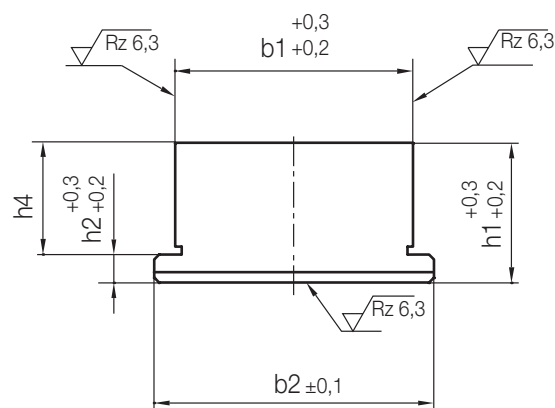
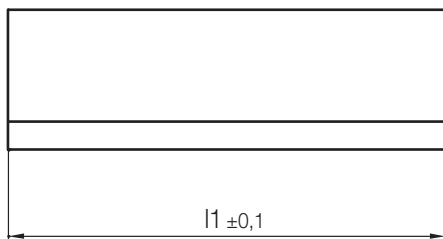
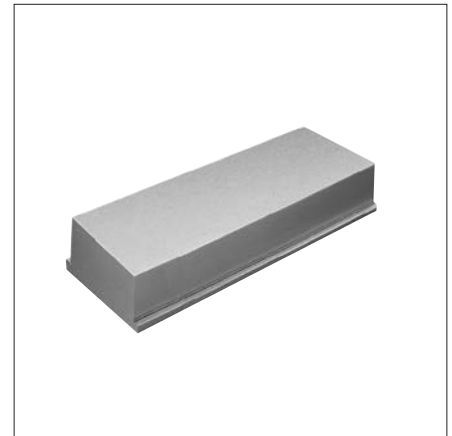
Toleranzen *			
Mat.:	b1	h1	h2
1.2343	+0,3	+0,3	+0,3
1.2767	+0,2	+0,2	+0,2
TOOLOX 44	g6	+0,2 +0,1	g6

r1	h4	h3	h2	b2	h1	l1	b1	Mat.			Nr./No.				
								1.2343	1.2767	Toolox 44					
1,5	8	1,5	4	26	12	40	20	x	x	x	Z180/12x 40x 20 /Mat				
				31			25	x	x	x	25				
				46			40	x	x	x	40				
				69			63	x	x	x	63				
				12			26	16	50	20	x	x	x	Z180/16x 50x 20 /Mat	
							31			25	x	x	x	25	
	46	40	x		x	x	40								
	69	63	x		x	x	63								
	2	15	2		5	46	20			63	40	x	x	x	Z180/20x 63x 40 /Mat
						69					63	x	x	x	63
				86		80		x	x		x	80			
				20		46		25	71		40	x	x	x	Z180/25x 71x 40 /Mat
69						63					x	x	x	63	
86						80					x	x	x	80	
3	26	3	6		71	32	100			63	x	x	x	Z180/32x 100x 63 /Mat	
				88	80			x	x	x	80				
				108	100			x	x	x	100				
				34	71			40	100	63	x	x	x	Z180/40x 100x 63 /Mat	
					88					80	x	x	x	80	
					108					100	x	x	x	100	
4	42	4	8		90	50	112			80	x	x	x	Z180/50x 112x 80 /Mat	
				110	100			x	x	x	100				
				135	125			x	x	x	125				
				55	90			63	112	80	x	x	x	Z180/63x 112x 80 /Mat	
					110					100	x	x	x	100	
					135					125	x	x	x	125	

# Z 1800 /...

Schieber, Rohling  
 Slide, blank  
 Coulisseau, pièce brute

Mat.: 1.2343/1.2767



4

h4	h2	b2	h1	l1	b1	Mat.		Nr./No.
						1.2343ESU	1.2767	
12	4	26	16	200	20	x	x	Z 1800/16x200x 20 / Mat
		31			25	x	x	25
		46			40	x	x	40
		69			63	x	x	63
20	5	46	25	250	40	x	x	Z 1800/25x200x 40 / Mat
		69			63	x	x	63
		86			80	x	x	80
34	6	71	40	250	63	x	x	Z 1800/40x250x 63 / Mat
		88			80	x	x	80
		108			100	x	x	100
55	8	90	63	250	80	x	x	Z 1800/63x250x 80 / Mat
		110			100	x	x	100
		135			125	x	x	125

