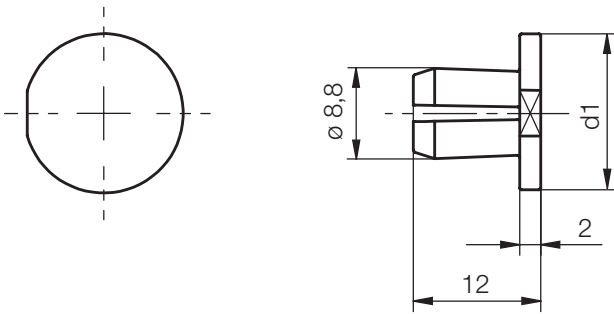


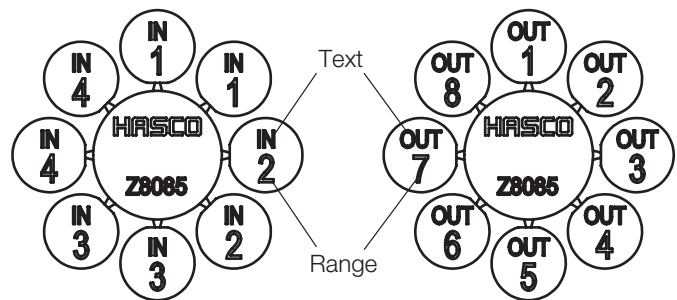
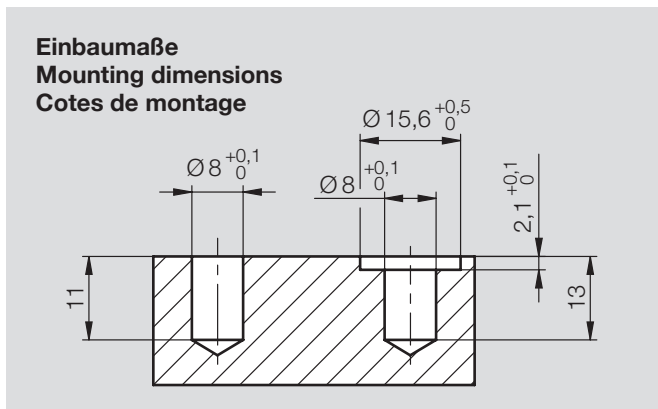
# Z8085 /...

Kennzeichnung, für Temperieranschlüsse  
 Marking, for cooling connections  
 Marquage d'identification des circuits de régulation

Mat.: PA 6  
 max. °C: 160



Typ 1 = blau / blue / bleu  
 Typ 2 = rot / red / rouge



Neu / New / Nouveau

| Text | style                | d1 | Range   | Typ | Nr./No.            |
|------|----------------------|----|---------|-----|--------------------|
| IN   | blau<br>blue<br>bleu | 15 | 1 - 4   | 1   | Z8085/15/ 1- 4 / 1 |
|      |                      |    | 1 - 8   |     | 1 - 8              |
|      |                      |    | 9 - 16  |     | 9-16               |
|      |                      |    | 17 - 24 |     | 17-24              |
|      |                      |    | 25 - 32 |     | 25-32              |
|      |                      |    | 33 - 40 |     | 33-40              |
|      |                      |    | 41 - 48 |     | 41-48              |
|      |                      |    | 49 - 56 |     | 49-56              |
|      |                      |    | 57 - 64 |     | 57-64              |

| Text | style               | d1 | Range   | Typ | Nr./No.            |
|------|---------------------|----|---------|-----|--------------------|
| OUT  | rot<br>red<br>rouge | 15 | 1 - 4   | 2   | Z8085/15/ 1- 4 / 2 |
|      |                     |    | 1 - 8   |     | 1 - 8              |
|      |                     |    | 9 - 16  |     | 9-16               |
|      |                     |    | 17 - 24 |     | 17-24              |
|      |                     |    | 25 - 32 |     | 25-32              |
|      |                     |    | 33 - 40 |     | 33-40              |
|      |                     |    | 41 - 48 |     | 41-48              |
|      |                     |    | 49 - 56 |     | 49-56              |
|      |                     |    | 57 - 64 |     | 57-64              |