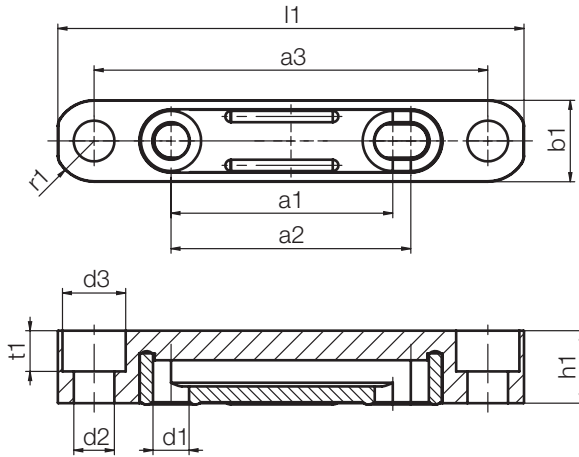


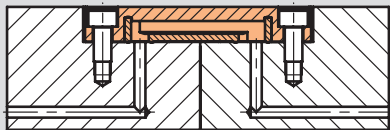
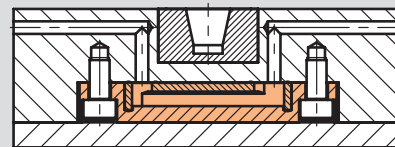
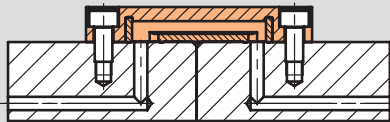
Z9645 /...

Umlenkbrücke
Diverting bridge
Pont de dérivation

Mat.: 2.0401 / Viton®



Medium	max. C°
Luft/air/air	200
Öl/oil/huile	120
Wasser/ water / eau	100



r1	h1	t1	a3	b1	l1	d3	d2	d1	a1	a2	Nr./No.
9	16	9	64	18	80	14	9	8	26	30	Z9645/ 8x26x30
			87		103				49	53	49x53
			132		148				94	98	94x98
11			70	22	90	15		10	28	34	Z9645/10x28x34
			83		103				41	47	41x47
			128		148				84	90	84x90