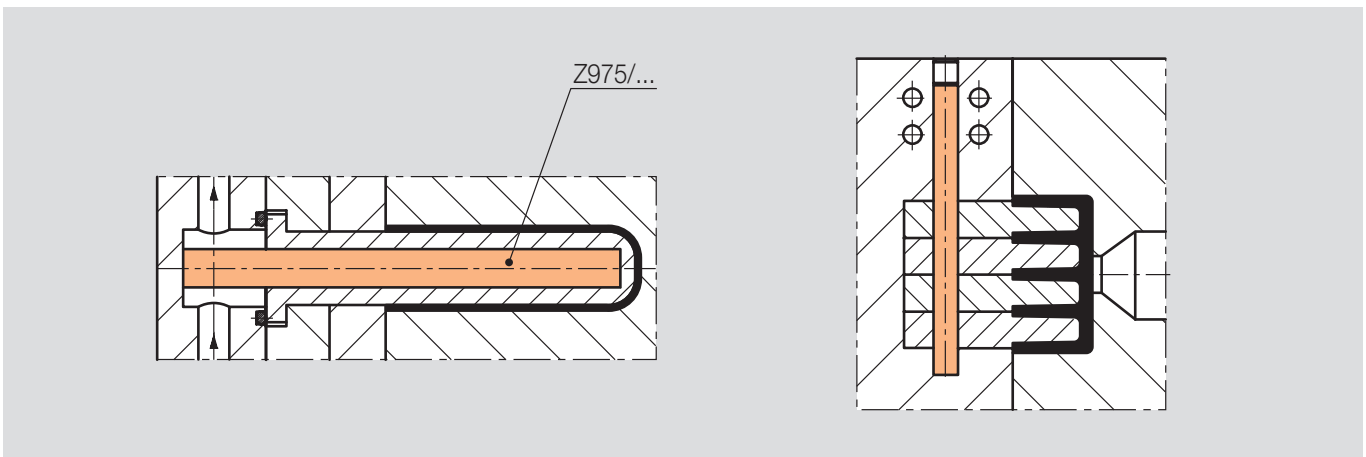
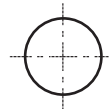
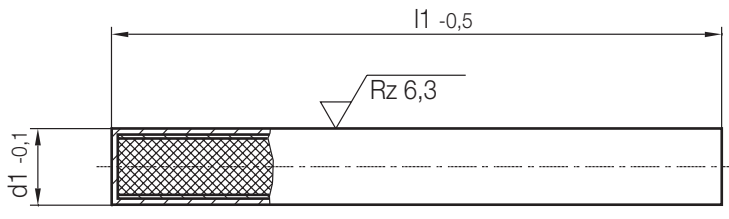
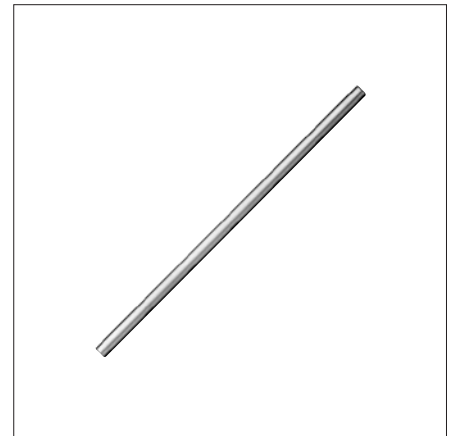


Z975/...

Wärmeleitpatrone
Heat transfer pipe
Tube de transfert de chaleur

Mat.: Cu



d1	l1	Nr./No.
2	50	Z975/2 x 50
	63	63
	80	80
	100	100
	125	125
2,5	50	Z975/2,5x 50
	63	63
	80	80
	100	100
	125	125
3	50	Z975/3 x 50
	63	63
	80	80
	100	100
	125	125
	160	160
4	50	Z975/4 x 50
	63	63
	80	80
	100	100
	125	125
	160	160
	200	200

d1	l1	Nr./No.
5	50	Z975/ 5x 50
	63	63
	80	80
	100	100
	125	125
	160	160
6	200	200
	50	Z975/ 6x 50
	63	63
	80	80
	100	100
8	125	125
	160	160
	200	200
	250	250
	100	Z975/ 8x100
	125	125
10	160	160
	200	200
	250	250
	100	Z975/10x100
	125	125
	160	160